



ODC50-**SC ** Series

50Watt DC/DC Power Supply



SINGLE OUTPUT
 4:1 Wide input range VDC
 Isolation 1600VDC
 Efficiency up to 92%
 Wide operating temperature from -40°C to +80°C
 EMI class A without external circuit
 No minimum load required- Soft Start
 Meet EN55032, EN55024
 Available Inputs Voltage (nominal):
 24VDC Nom (DC 9~36V)
 48 VDC Nom (DC 18 ~ 75V)

3 Year Warranty



		UNIT	ODC50-**SC24	ODC50-**SC48			
INPUT	Nom Voltage (Range)	V	DC 24V (9~36)	DC 48V (18~75)			
	Current Typ.	mA	60~2290	30~1145			
	Input Voltage Var.		<= 5 V/ms				
	Voltage Surge	24VDC 48VDC	Max. 50VDC Max. 100VDC				
			ODC50-5SC24	ODC50-125SC24	ODC50-15SC24	ODC50-24SC24	
OUTPUT	Nominal Voltage	VDC	5	12	15	24	
	Capacitive Load max.	uF	17000	3000	2000	750	
	Current	A	10	4.17	3.33	2.08	
	Total Pwr	W	50	50	50	50	
	Efficiency	%	91	92	92	91	
	Line Regulation	%	+/-0.5%	+/-0.5%	+/-0.5%	+/-0.5%	
	Load Regulation	%	+/-0.5%	+/-0.5%	+/-0.5%	+/-0.5%	
	Switching Frequency	KHZ	280	280	280	280	
	Ripple Noise	mVp-p	100	150	150	150	
	OVER VOLTAGE PROTECTION	vdc	6.2	15	18	30	
	Voltage Adjustability	%	+/- 10%	+/- 10%	+/- 10%	+/- 10%	
	Transient res. recovery time 25% load step change	µs	250	250	250	250	
	SHORT CIRCUIT PROTECTION		Hiccup Mode 0.3HZ AUTO RECOVERY	Hiccup Mode 0.3HZ AUTO RECOVERY	Hiccup Mode 0.3HZ AUTO RECOVERY	Hiccup Mode 0.3HZ AUTO RECOVERY	
	Cooling		Convection				





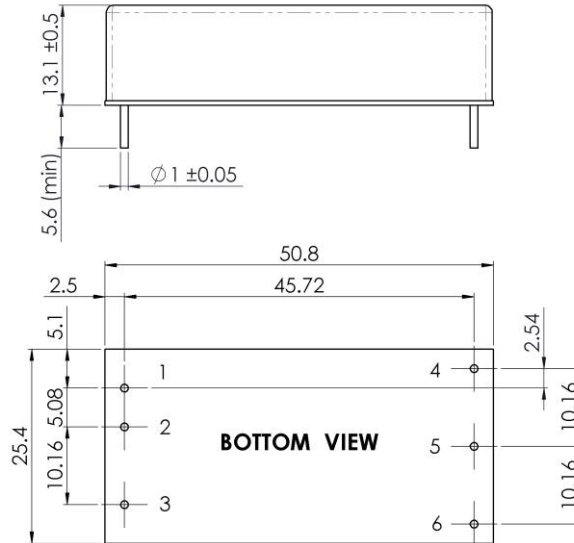
		ODC50-5SC48	ODC50-125SC48	ODC50-15SC48	ODC50-24SC48			
OUTPUT	Nominal Voltage	VDC	5	12	15	24		
	Capacitive Load max.	uF	17000	3000	2000	750		
	Current	A	10	4.17	3.33	2.08		
	Total Pwr	W	50	50	50	50		
	Efficiency	%	91	92	92	91		
	Line Regulation	%	+/-0.5%	+/-0.5%	+/-0.5%	+/-0.5%		
	Load Regulation	%	+/-0.5%	+/-0.5%	+/-0.5%	+/-0.5%		
	Switching Frequency	KHZ	280	280	280	280		
	Ripple Noise	mVp-p	100	150	150	150		
	OVER VOLTAGE PROTECTION	vdc	6.2	15	18	30		
	Voltage Adjustability	%	+/- 10%	+/- 10%	+/- 10%	+/- 10%		
	Transient res. recovery time 25% load step change	µs	250	250	250	250		
	SHORT CIRCUIT PROTECTION		Hiccup Mode 0.3HZ AUTO RECOVERY	Hiccup Mode 0.3HZ AUTO RECOVERY	Hiccup Mode 0.3HZ AUTO RECOVERY	Hiccup Mode 0.3HZ AUTO RECOVERY		
	Cooling		Convection					

ISOLATION	Voltage	1600 VDC input/output to case 1000VDC
	Resistance	>= 500Vdc 1000 MΩ
	Capacitance	Typ. 2200pF
	Overload Protection 24VDC 48VDC	>= 110% full load
Environment	Operating temp	-40 ~ +80°C
	Storage	-55 ~ +125°C
	MTBF	>500 x 1000 MIL-HDBK-217F
Dimension	WxHxL inch/g	3.0" X 2.6" X 0.83" / 212 g
	Case Material Potting Material	Nickel Coated Copper with non-Conductive Base - Case Temp. 100C Base Plate Material -Non-Conductive FR4 Potting material Epoxy UL94V-0 Pin: Brass Solder Coated Thermal Shutdown 105 ~115 case
SAFETY	EMI	EN55022, EN55024
	EMS	EN 61000-4-3 EN61000-4-4 EN61000-4-5 EN61000-4-6





Dimensions



Unit : mm
Tolerance : XX.X ± 0.5 , XX.XX ± 0.25

Pins

PIN Assignment		
Pin	Define	Diameter
1	+Vin	1 mm[0.04"]
2	\pm Vin	1 mm[0.04"]
3	Ctrl	1 mm[0.04"]
4	+Vout	1 mm[0.04"]
5	-Vout	1 mm[0.04"]
6	Trim	1 mm[0.04"]

